



Properties	Applications
<ul style="list-style-type: none"> * Lead free, RoHS conformity * Halogen free * Enhanced breaking capacity up to 277V 100A AC * Internationally approved * Current inrush pulse stability * Bulk, taped, blister 	<ul style="list-style-type: none"> * Household appliances * Electronic ballast * Chargers / power supplies * Consumer electronics * Industrial controllers * Heating system components

No-flame by EN60335-1



Article no.	Irat A	Voltage drop 1,0 x Irat max. (mV)	Power dissipation 1,5 x Irat max. (W)	Melting Integral 10 x Irat nominal A ² s	Breaking capacity	 License no. 40029850	 File No. E336987
310 0050	0,050	430	0,08	0,016	250VAC 100A cos phi = 1,0		✓ ✓ ✓ ✓ ✓ ✓ ✓ ✓ ✓ ✓
310 0063	0,063	420	0,09	0,026			
310 0080	0,080	360	0,10	0,038			
310 0100	0,100	275	0,11	0,075			
310 0125	0,125	255	0,13	0,125			
310 0160	0,160	185	0,13	0,155			
310 0200	0,200	175	0,15	0,265			
310 0250	0,250	160	0,15	0,390			
310 0315	0,315	135	0,12	0,59			
310 0400	0,400	130	0,17	0,86			
310 0500	0,500	110	0,17	1,60	277VAC 100A cos phi = 1,0	✓ ✓ ✓ ✓ ✓ ✓ ✓ ✓ ✓ ✓	
310 0630	0,630	105	0,18	2,40			
310 0800	0,800	115	0,30	4,90			
310 1100	1,000	110	0,40	7,30			
310 1125	1,250	100	0,40	12,5			
310 1160	1,600	95	0,50	21,4			
310 1200	2,000	80	0,50	29,8			
310 1250	2,500	75	0,60	41,2			
310 1315	3,150	70	0,75	55,0			
310 1400	4,000	65	0,75	86,0			
310 1500	5,000	60	0,85	115		✓ ✓	
310 1630	6,300	55	1,10	150			

Permissible continuous operating current is ≤ 100 % at ambient temperature of 23 °C (73.4 °F).					
Limits for Pre-arcing Time					
Rated Current	1.5 x Irat	2.1 x Irat	2,75 x Irat	4 x Irat	10x Irat
50mA ... 6,3A	> 1h	< 120s	0,4s ... 10s	150ms ... 3s	20ms ... 150ms

Soldering process parameters			
Wave soldering		Reflow soldering	
Preheat temperature:	100°C - 160°C	Preheat temperature:	140°C - 165°C
Preheat time:	60 - 180s	Preheat time:	90 - 120s
Solder temperature	265°C max.	Peak temperature:	255°C max.
Dwell time:	5 - 10s	Soldering time > 200°C:	30s

Product characteristics			
Base / Cap	Polyamid PA 66 UL94-V0	Operating temperature:	-40°C - 125°C
Lead	Copper tin plated; pull strength 10N max.	Vibration resistance	acc. to IEC 60068-2-6
Solderability	245°C < 3s	Stock conditions:	+10°C - 60°C RH < 75%
Soldering heat resistance	260°C 10s (wave) acc. to IEC 60068-2-20	Glow wire test:	acc. to IEC 60335-1 requirements
	350°C 5s (soldering iron)		IEC 60695-2-12, IEC 60695-2-13



Average time-current (I-t) curves

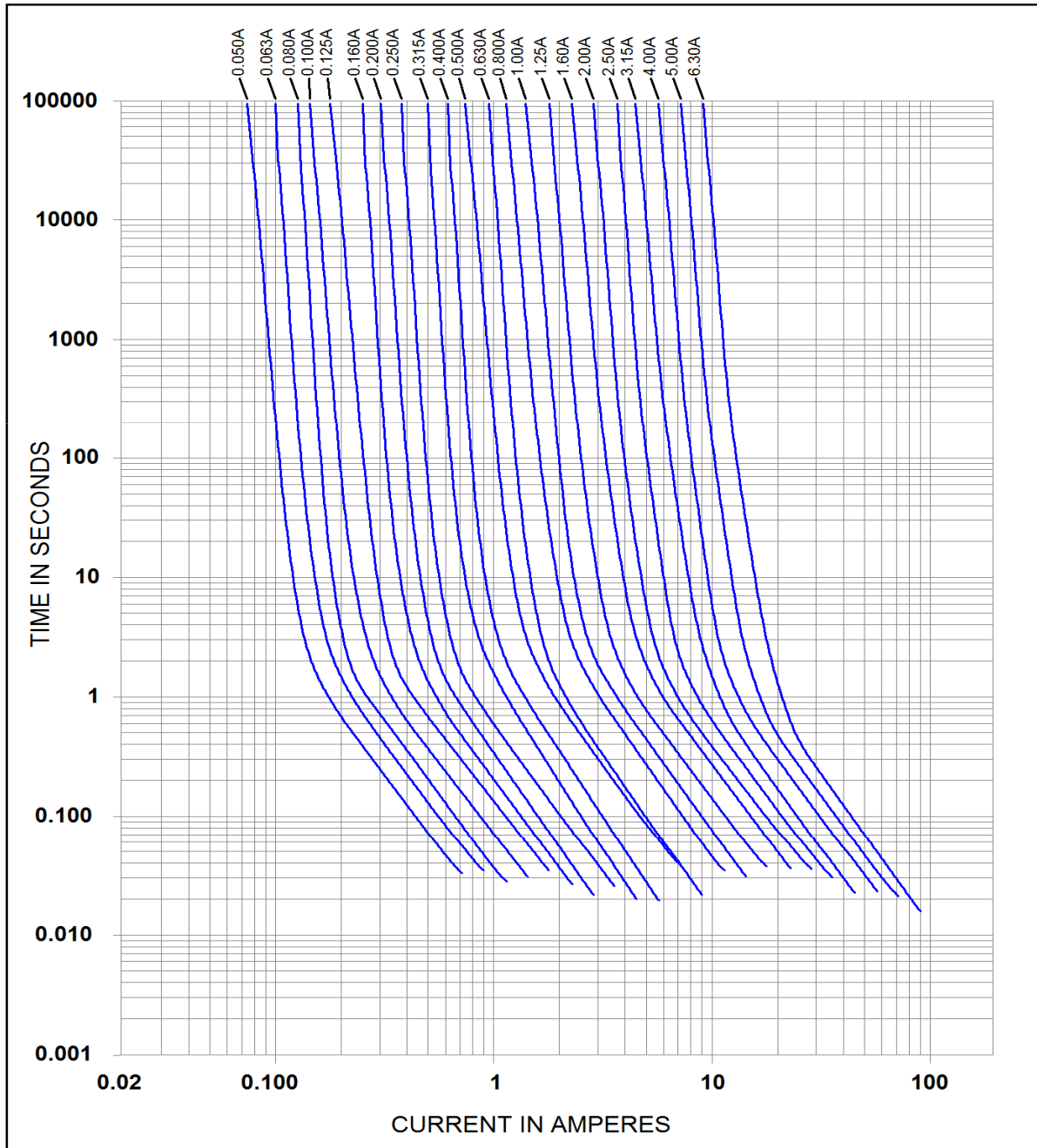


**INTER
CONTROL**

310XXXX Series

Time Lag Fuse

IEC60127-3/4



Specifications are subject to change without notice.

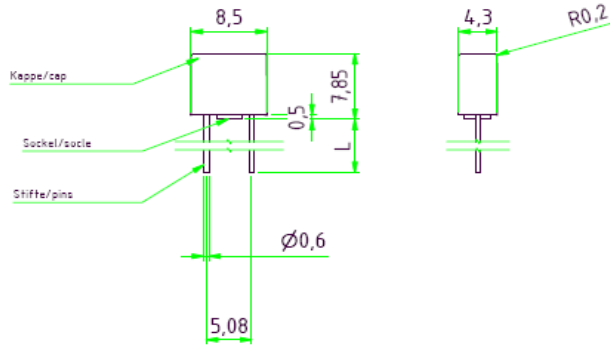
Note: 1.00 means the number one with two decimal places.

AKL V4.5 13.08.08

Inter Control Hermann Köhler Elektrik GmbH & Co. KG Nürnberg/Germany - Tel. +49(0)176-10574894 - Fax +49(0)911/9522702

E-Mail: simic.nebojsa@intercontrol.de - Website: www.intercontrol.com

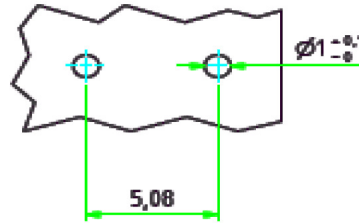
Dimensions and recommended PCB layout



Irat /A	Track sizes (crosssection)
0,05 - 5	min. 0,1mm ²
6,3	min. 0,2mm ² or 35µm with min. 5mm width

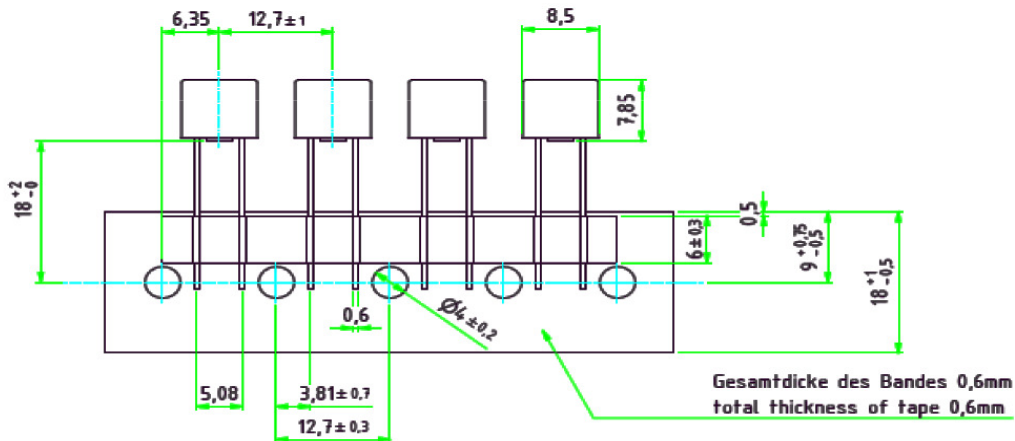
weight: < 0,6g

reommended drill layout for PCB



Packaging / Dimensions / Quantities per package unit

In bulk:	1000 pcs per box
Pin length "L"	4,3 mm (variable 2,5 ... 4,3mm)
On tape	1400 pcs per Ammo pack EIA 468-A, IEC 286-2
Pin length "L"	20,00 mm
Pin in Paste	on request
Pin length "L"	2,1 mm



Ordering information

31X NNNN

X = 1: Ammo Pack
2: Bulk
3: reflow version

NNNN = Rated current regarding article table

Irat	amperecode
50 mA	0050
63 mA	0063
80 mA	0080
100mA	0100
125 mA	0125
160 mA	0160
200 mA	0200
250 mA	0250
315 mA	0315
400 mA	0400
500 mA	0500
630 mA	0630
800 mA	0800
1 A	1100
1,25 A	1125
1,6 A	1160
2 A	1200
2,5 A	1250
3,15 A	1315
4 A	1400
5 A	1500
6,3 A	1630

Inter Control Hermann Köhler Elektrik GmbH & Co. KG Nürnberg/Germany - Tel. +49(0)176-10574894 - Fax +49(0)911/9522702

E-Mail: simic.nebojsa@intercontrol.de - Website: www.intercontrol.com